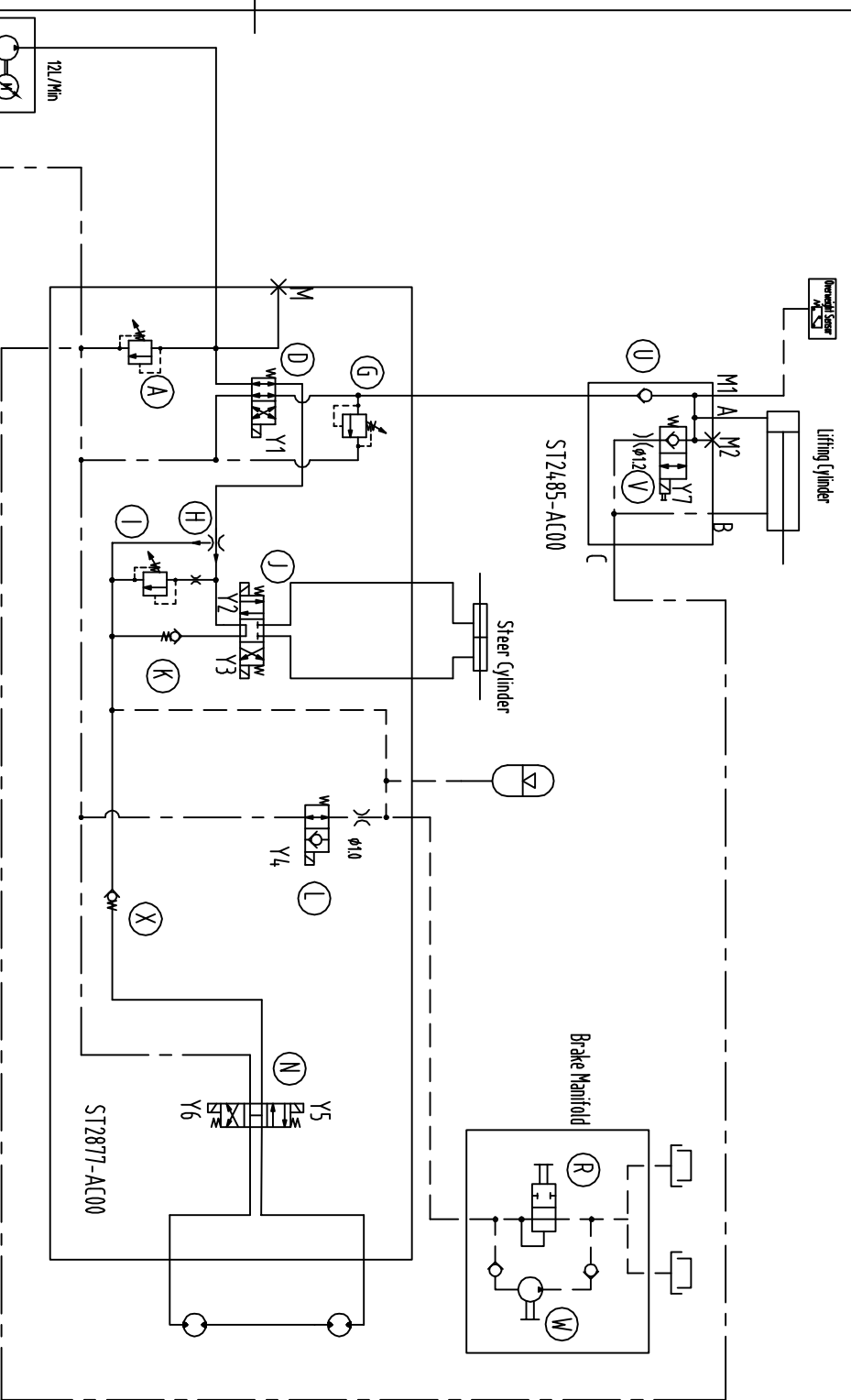


101012050020



	Y1	Y2	Y3	Y4	Y5	Y6	Y7
Steer left	-	-	+	-	-	-	-
Steer right	-	+	-	-	-	-	-
Go ahead	-	-	-	+	+	-	-
Reverse	-	-	-	+	-	+	-
Lift	+	-	-	-	-	-	-
Descend	-	-	-	-	-	-	+

The logic of solenoid solenoid

Mark/NO.	Medifile NO.	Sign	Date	GTJZ0408S, GTJZ0608S		Hunan SINOBOON Heavy Industry Co., Ltd.	
Design	Standardize	Authorize		Drawing marks/Version		Mass	Scale
Check	Authorize	Approve		A			1:1
Examine	Approve			Total	Pages	The	page
Technics	Date			2			

Hydraulic Schematic

101012050020